

TH (Tiny House) Series

HOMESTEAD
TINY HOUSE CO.

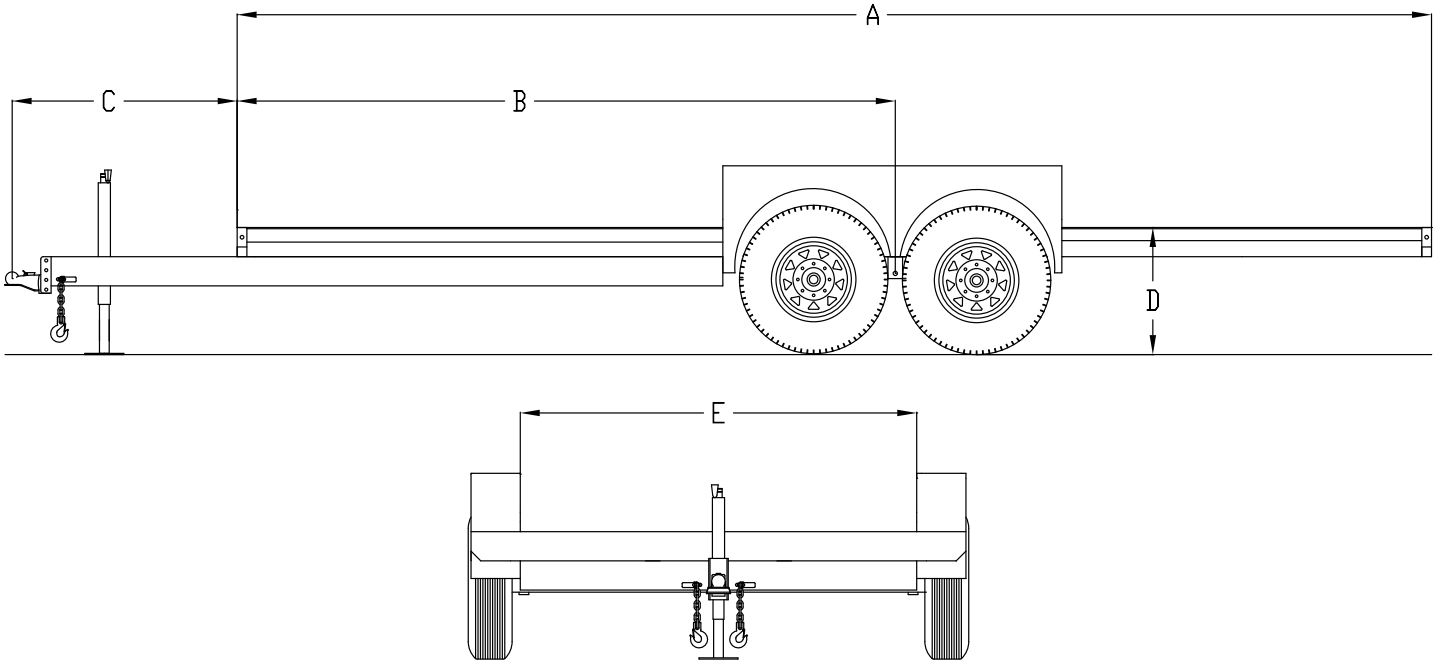
Exclusive

Specialty
Trailers

| Specifications | |
|---|--|
| • G.V.W.R. - 14,000# | • Axle - (2) 7,000# Cambered Brake Axle |
| • G.A.W.R. (Each Axle) - 7,000# | • Suspension - Multi-Leaf Slipper Spring |
| • Coupler - 2-5/16" - Adjustable Type | • Tires - ST235/80R16 Load Range E |
| • Safety Chain - 3/8" Grade 43 w/ Hooks | • Wheel - 16" 8-Bolt White Spoke (? on ? Pattern) |
| • Jack - 7K Drop Leg Bolt-On | • Deck - N/A (Open Floor Plan) |
| • Tongue/Frame - 2x6" Tube | • Lights - L.E.D. Stop, Tail, & Turn |
| • Side Rails - 2x6" Tube | • Vehicle Plug - 7-Way RV w/ Breakaway & SnapNSeal |
| • Crossmembers - 2x2" Tube w/ 16" Centers | • Paint Prep - 5-Stage Super Blast Treatment |
| • Fenders - 9x72" - Custom Box Fenders | • Paint - Super Durable Powdercoat |
| • 28' 10.5T Model - 21,000# G.V.W.R. , (3) 7,000# Cambered Brake Axle | |

| Optional Features | |
|-------------------|-----------------|
| • Length Options | • Wheel Options |

| Dimensions | | | | | |
|---------------|------|------|-----|-------|-----|
| Weight/Length | A | B | C | D | E |
| 16' | 196" | 116" | 48" | 25.5" | 96" |
| 20' | 240" | 143" | 60" | 25.5" | 96" |
| 24' | 288" | 172" | 60" | 25.5" | 96" |
| 28' | 336" | 198" | 60" | 25.5" | 96" |



H11