



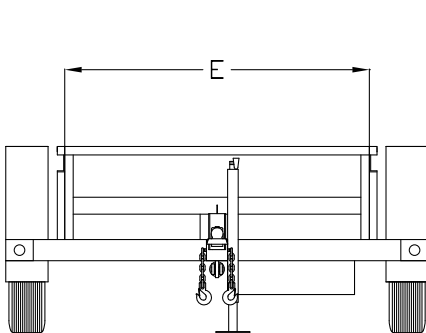
HGL-S Series (Single Axle)



Specifications			
Single Axle Models	HGL3510S	HGL5510S	HGL5610S
Load Capacity (Lb.)	3,500#	5,000#	5,000#
Deck Width	60"	60"	72"
Deck Length	10'	10'	10'
Trailer Weight (Lb.)	1,500 #	1,625 #	2,200 #
Lift Mechanism	Hydraulic-Fluid Pump	Hydraulic-Fluid Pump	Hydraulic-Fluid Pump
Number of Axles	Single	Single	Single
Wheel Size	ST225/75R15	ST235/80R16	ST235/80R16
Wheel Bolt Pattern	6x5.5"	8x6.5"	8x6.5"
Brakes/Hyd. Pump	Electric	Electric	Electric
Coupler Ball Size	2-5/16" Bolt-On	2-5/16" Bolt-On	2-5/16" Bolt-On
Suspension	® TorsionSlide (Steel-Spring) w/ Camber and Toe Adjustments		
Deck	11 Ga. Diamond Plate w/ Corner and Middle Chain Slots (6 Total)		
Electrical	• Full L.E.D. Lighting w/ 7-Way RV Plug, Breakaway & SnapNSeal Harness		
Storage	• Dual Tongue Storage Boxes - #1 (Pump/Battery) & #2 (Open Storage)		

Optional Features	
• Spare Mount/ Extra Toolbox	• Solid Side & Deck Options
• Upgrade to Rubber TorsionSlide	• Upgrade to Surge Brakes
• TieDown/Battery Charger Options	• Hydraulic Jack w/ SolarPanel

Dimensions						
Length	A	B	C	D	E	F
5x10'	120"	55"	61"	11.5"	60"	88"
6x10'	120"	55"	61"	11.5"	72"	100"



H1

