



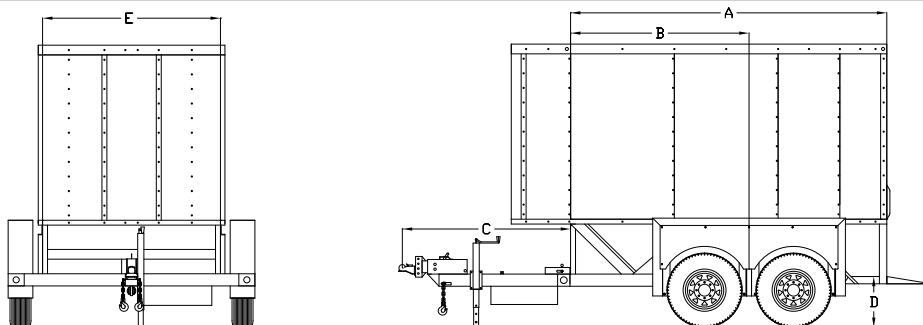
HGL-E Series (Enclosed Tandem Axle)



Specifications		
Bed Models	6x12'	6x14'
Load Capacity (Lb.)	7,000#	7,000#
Deck Width	72"	72"
Deck Length	12'	14'
Door Height	96"	96"
Door Width		
Trailer Weight (Lb.)	5,150#	5,250#
Lift Mechanism	Hydraulic-Fluid Pump	Hydraulic-Fluid Pump
Number of Axles	Tandem	Tandem
Wheel Size	ST235/80R16	
Wheel Bolt Pattern	8x6.5"	
Brakes/Hyd. Pump	Electric	Electric
Coupler Ball Size	2-5/16" Bolt-On	2-5/16" Bolt-On
Suspension	® TorsionSlide (Rubber) w/ Camber and Toe Adjustments	
Deck	11 Ga. Diamond Plate w/ Corner and Middle Chain Slots (6 Total)	
Electrical	• Full L.E.D. Lighting w/ 7-Way RV Plug, Breakaway & SnapNSeal Harness	
Storage	• Dual Tongue Storage Boxes - #1 (Pump/Battery) & #2 (Open Storage)	

Optional Features	
• Spare Mount/ Extra Toolbox	• Wheel/Tire Upgrades
• Tie Down Packages	• Upgrade to Surge Brakes
• Battery Charger Options	• Hydraulic Jack w/ SolarPanel

Dimensions						
Length	A	B	C	D	E	F
6x12'	132"	75"	64"	13"	72"	100"
6x14'	144"	75"	64"	13"	72"	100"



H5