

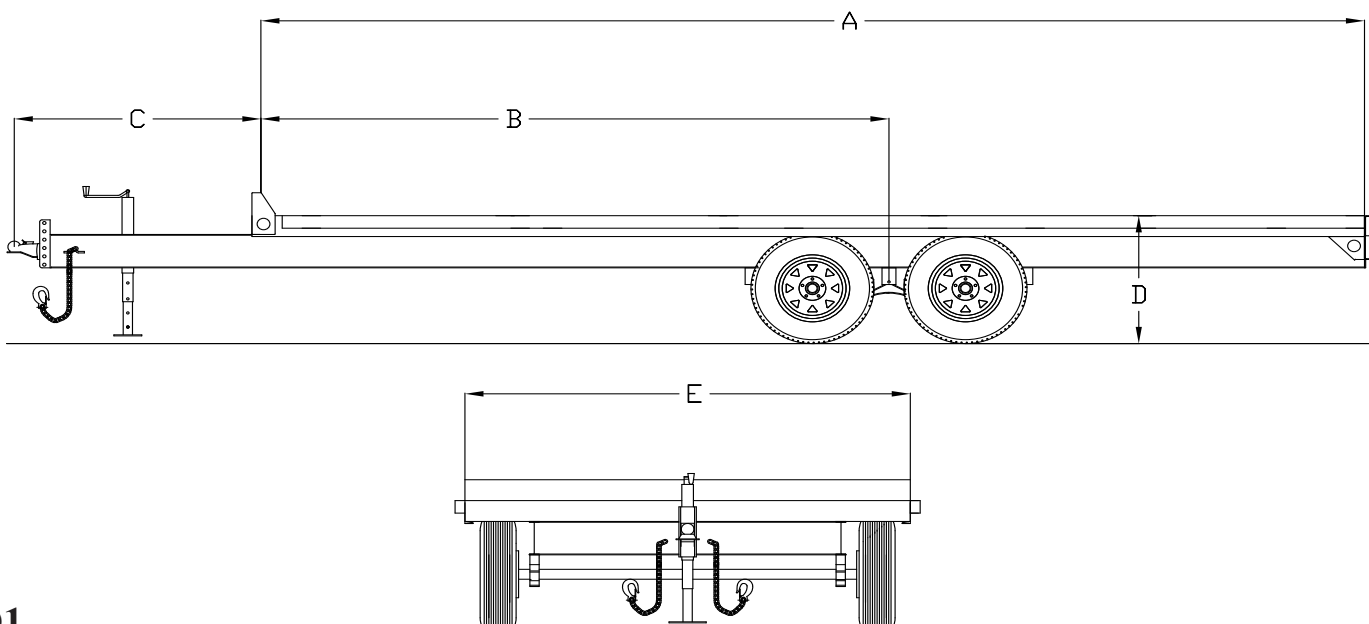
5T Tagalong Series

Tagalong Trailers

Specifications	
• G.V.W.R. - 9,950#	• Axle - (2) 5,200# Cambered Electric Brake
• G.A.W.R. (Each Axle) - 5,200#	• Suspension - Multi-Leaf Spring w/ Equalizer
• Coupler - 2-5/16" - Adjustable Type	• Tires - ST225/75R15 Load Range D
• Safety Chain - 8/0" Grade 30 w/ Hooks	• Wheel - 15" 6-Bolt White Spoke (6 on 5.5 Pattern)
• Jack - Bolt-On 7K Top Wind Droq Leg	• Deck - 2" Pressure Treated Pine
• Tongue - 8" Junior I-Beam Frame Wrapped	• Lights - L.E.D. Stop, Tail, & Turn
• Frame - 8" Junior I-Beam	• Vehicle Plug - 7-Way RV w/ Breakaway & SnapNSeal
• Crossmembers - 2x3x3/16" Angle w/ 16" Centers	• Paint Prep - 5-Stage Super Blast Treatment
• Fenders - Drive-Over Diamond Plate	• Paint - Super Durable Powdercoat
• Ramps - 6' Slide-Out w/ Rear Hidden Away Access for Ramp Storage	

Optional Features	
• Tongue Mesh Tool Tray	• 6K Axle Upgrade
• 10K Drop Leg Jack Upgrade	• Diamond Plate Steel Floor
• Underbody Spare Tire Mount	• No Ramps

Dimensions					
Weight/Length	A	B	C	D	E
2,500# - 16'	192"	113"	51"	30"	102"
2,600# - 18'	216"	125"	51"	30"	102"
2,700# - 20'	240"	137"	51"	30"	102"



D1