

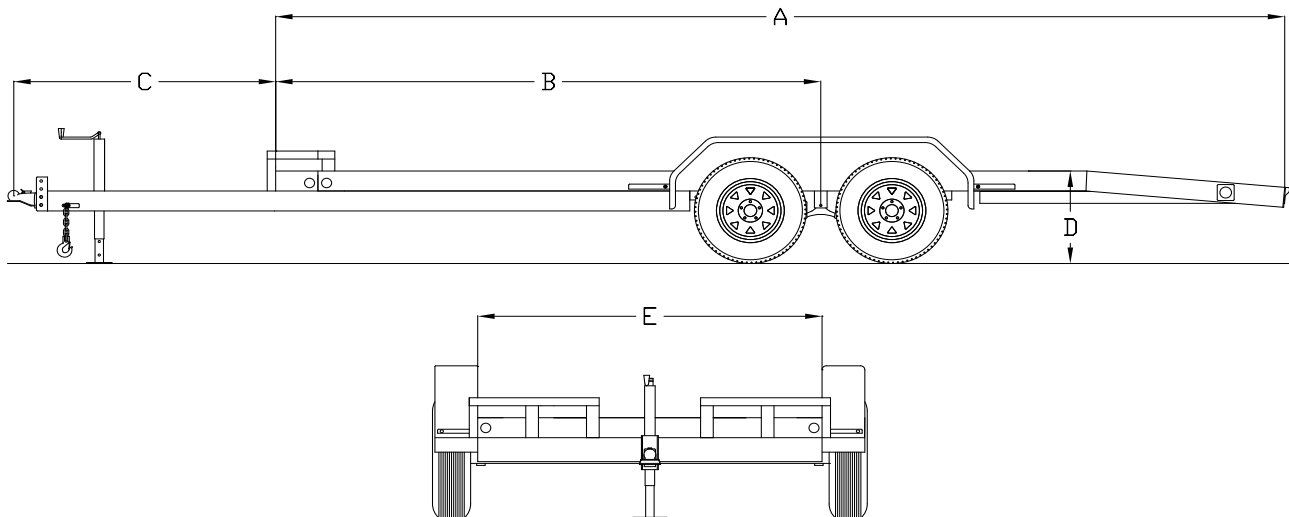
SC Carhauler Series

(Steel Floor-Runner)

Specifications	
• G.V.W.R. - 7,000#	• Axle - (2) 3,500# Cambered Electric Brake
• G.A.W.R. (Each Axle) - 3,500#	• Suspension - Multi-Leaf Spring w/ Equalizer
• Coupler - 2" - Adjustable Bolt-On	• Tires - ST205/75R15 Load Range C
• Safety Chain - 8/0" Grade 30 w/ Hooks	• Wheel - 15" 5-Bolt White Spoke (5 on 4.5 Pattern)
• Jack - 3K Top Wind	• Deck - 2' Diamond Plate Runners (11 Ga.)
• Tongue - Wrapped 5" Channel	• Lights - L.E.D. Stop, Tail, & Turn
• Frame - 2x5x3/16" Tube	• Vehicle Plug - 7-Way RV w/ Breakaway & SnapNSeal
• Crossmembers - 3" Channel w/ 16" Centers	• Paint Prep - 5-Stage Super Blast Treatment
• Fenders - 9x72" - Diamond Plate w/ Steps	• Paint - Super Durable Powdercoat
• Ramps - 5' Runner Style Slide-Out w/ Full Length Track & Hide-A-Way Storage	

Optional Features	
• 2-5/16" Bolt-On Coupler	• Tie Down Packages
• 5T Model (5.2K Axles)	• Jack Options
• Winch Mount/Removeable Fender	• Spare Mount & Wheel Options

Dimensions					
Weight/Length	A	B	C	D	E
1,800# - 16'	192"	134"	41"	22.5"	82"
1,900# - 18'	216"	146"	41"	22.5"	82"
2,000# - 20'	240"	158"	41"	22.5"	82"



Carhauler Trailers