

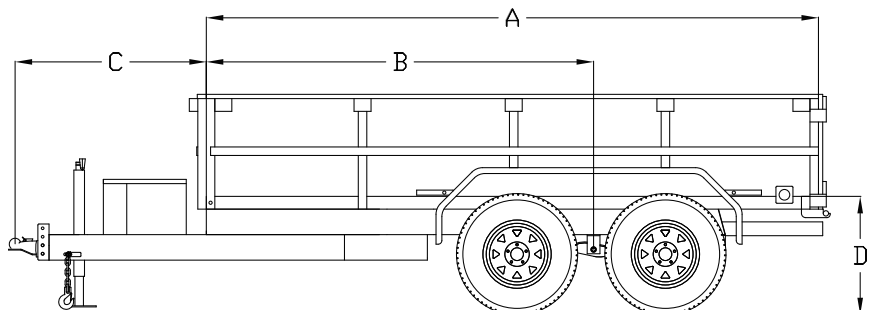
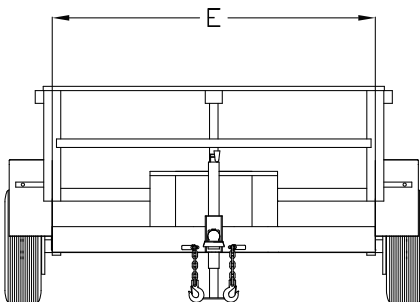
3T (Low Profile) Dump Series

Specifications	
• G.V.W.R. - 7,000#	• Axle - (2) 3,500# Cambered Electric Brake
• G.A.W.R. (Each Axle) - 3,500#	• Suspension - Multi-Leaf Spring w/ Equalizer
• Coupler - 2" - Adjustable Type	• Tires - ST205/75R15 Load Range C
• Safety Chain - 8/0" Grade 30 w/ Hooks	• Wheel - 15" 5-Bolt White Spoke (5 on 4.5 Pattern)
• Jack - Bolt-On 7K Top Wind Drog Leg	• Deck - 10 Ga. 1 Piece Smooth Steel w/ Tube Frame
• Tongue - Wrapped 6" Channel	• Lights - L.E.D. Stop, Tail, & Turn
• Frame - All Tubing Construction	• Vehicle Plug - 7-Way RV w/ Breakaway & SnapNSeal
• Sides - 24" 12 Ga. Smooth Steel	• Paint Prep - 5-Stage Super Blast Treatment
• Crossmembers - All Tube w/ 16" Centers	• Paint - Super Durable Powdercoat
• Fenders - 9x72" - Diamond Plate w/ Steel Backs	• Gate - Combo: Barn Door/3-Position Spreader
• Tie Down - (4) Corner Mounted D-Rings	• Ramps - 5' Slide-In Runner Style
• Hydraulic Pump - 12-Volt Self-Contained Unit w/ Remote and Inline Truck Charger	
• Hydraulic Lifting Hoist - Single Push Rod Cylinder: 3.5x24" w/ Gravity Down Vent Port	

Dump Trailers

Optional Features	
• Surge Brake Upgrade	• Battery Charger Options
• Hyd. Pump/Tarp Options	• 42" High Sides
• Spare Tire Mount/2-5/16" Coupler	• TieDown/Wheel Options

Dimensions						
Weight/Length	A	B	C	D	E	F
2,900# - 10'	120"	79"	45"	29"	80"	17"
3,400# - 12'	144"	90"	45"	29"	80"	17"



F5